

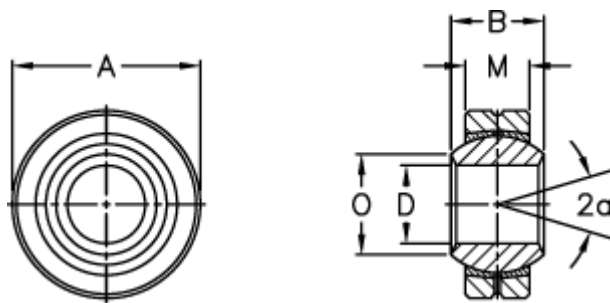
Data Sheet



Article number: 03400020

Description: Fluro Rod end GL 20

Measures



A	= 46	Static load C0 (kN) = 94.5
a (degrees)	= 14	Weight = 200
B	= 25	
D	= 20	
Dynamic load C (kN)	= 23.5	
M	= 18	
O	= 24.3	
Permissible rpm	= 280	